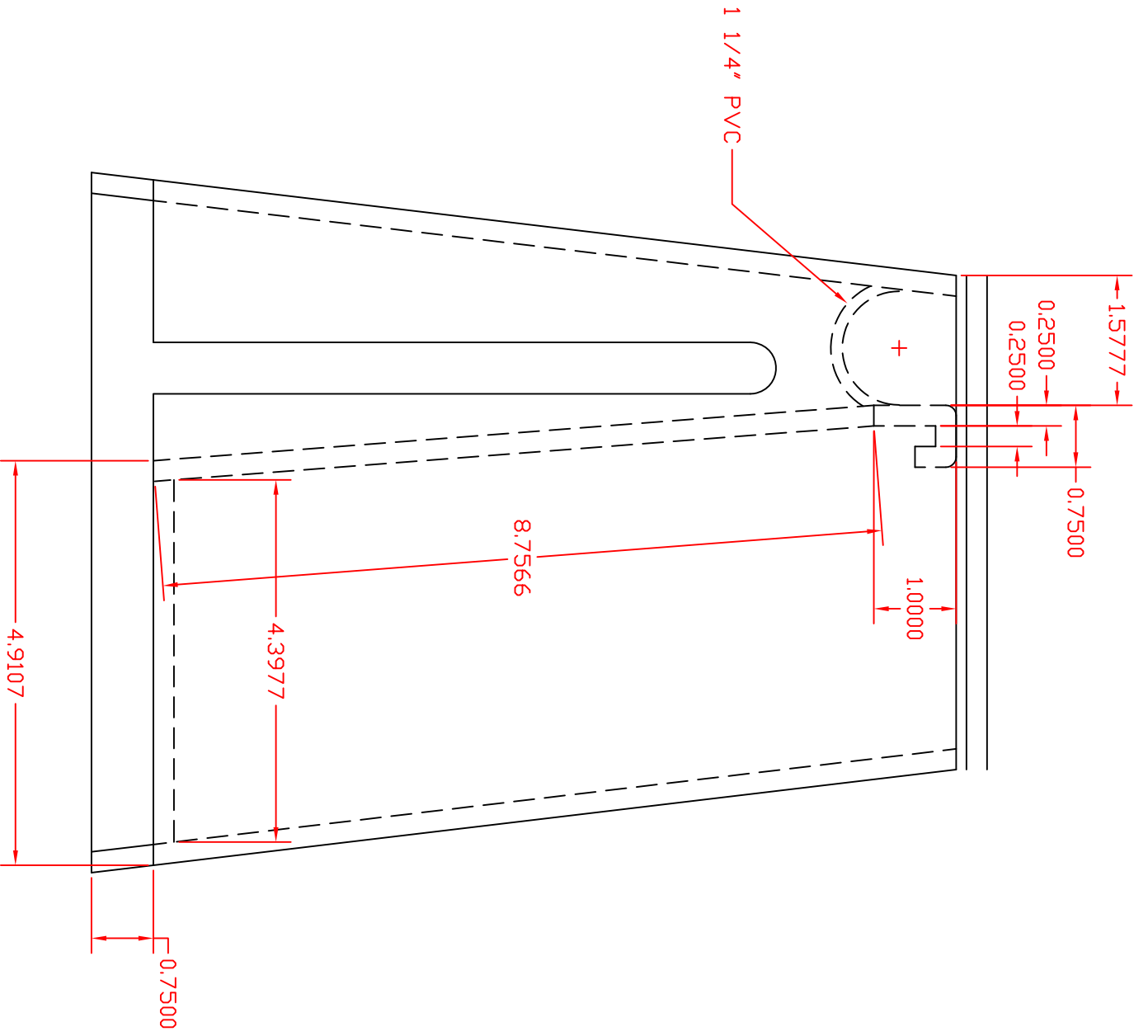
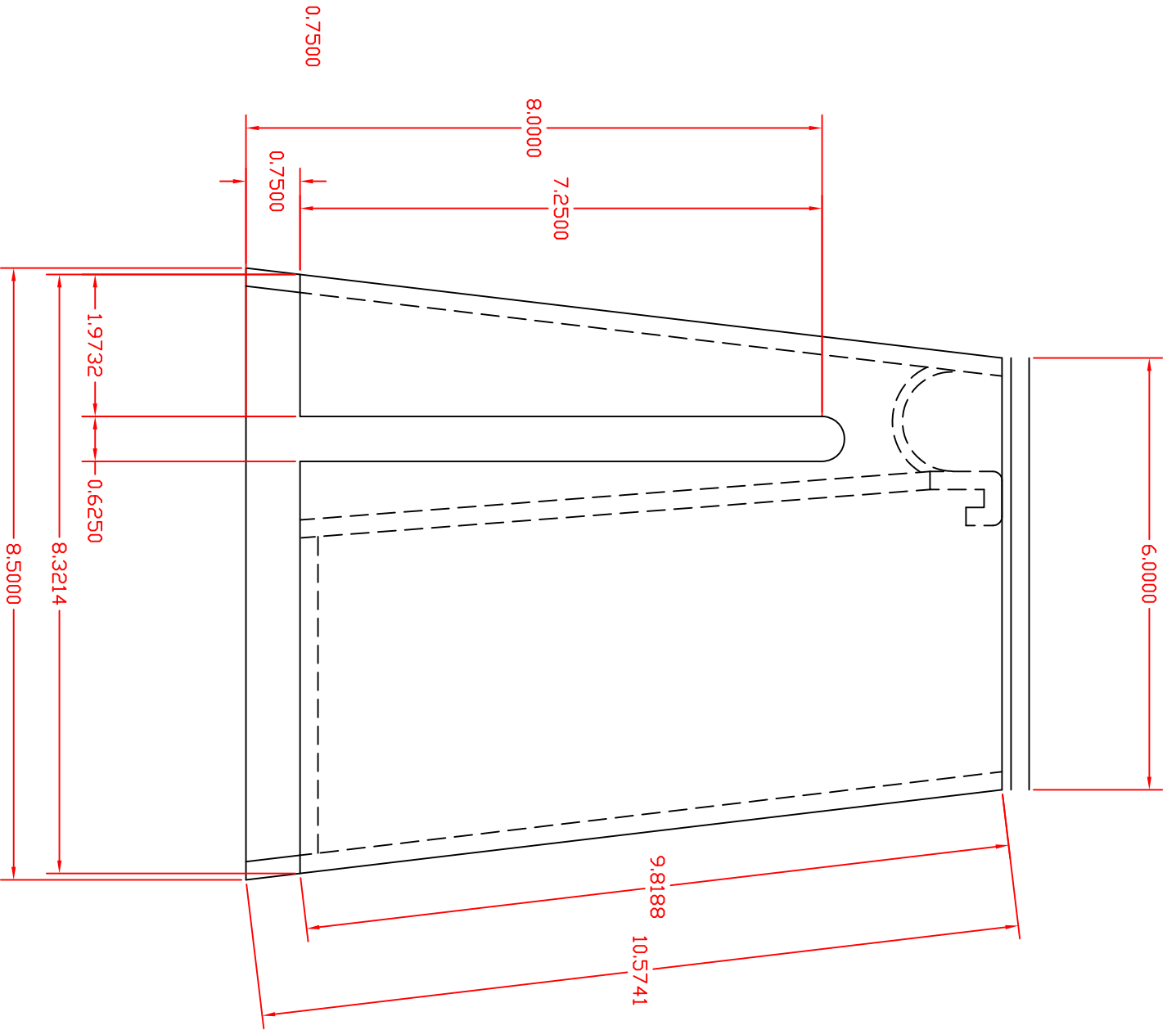
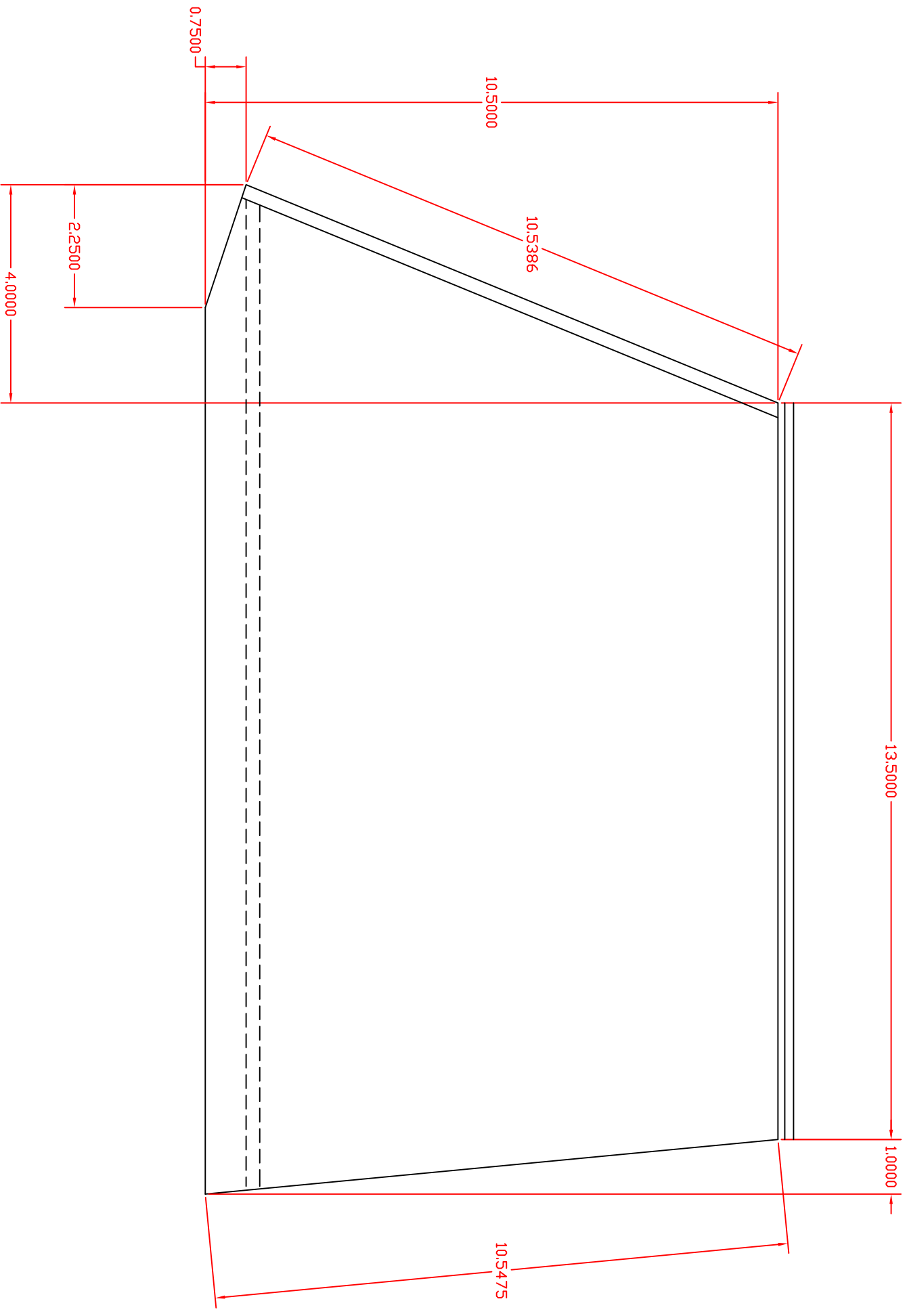


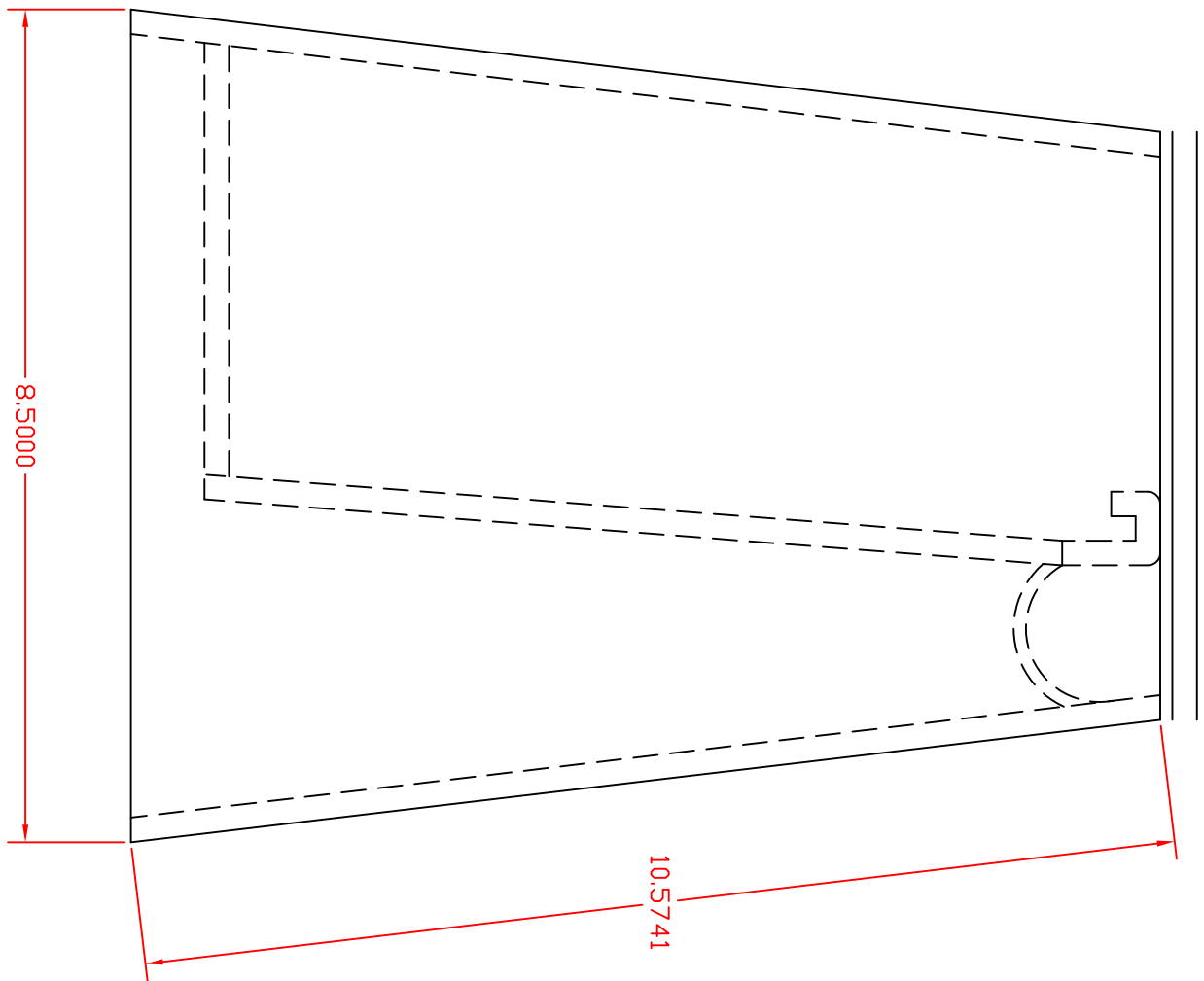
8ths	16ths	32nds	64ths	Inch
			1/64	0.0156
		1/32		0.0313
			3/64	0.0469
	1/16			0.0469
			5/64	0.0781
		3/32		0.0938
			7/64	0.1094
1/8				0.1250
			9/64	0.1406
		5/32		0.1563
			11/64	0.1719
	3/16			0.1875
			13/64	0.2031
		7/32		0.2188
			15/64	0.2344
1/4				0.2500
			17/64	0.2656
		9/32		0.2813
			19/64	0.2969
	5/16			0.3125
			21/64	0.3281
		11/32		0.3438
			23/64	0.3594
3/8				0.3750
			25/64	0.3906
		13/32		0.4063
			27/64	0.4219
	7/16			0.4375
			29/64	0.4531
		15/32		0.4688
			31/64	0.4844
1/2				0.5000
			33/64	0.5156
		17/32		0.5313
			35/64	0.5469
	9/16			0.5625

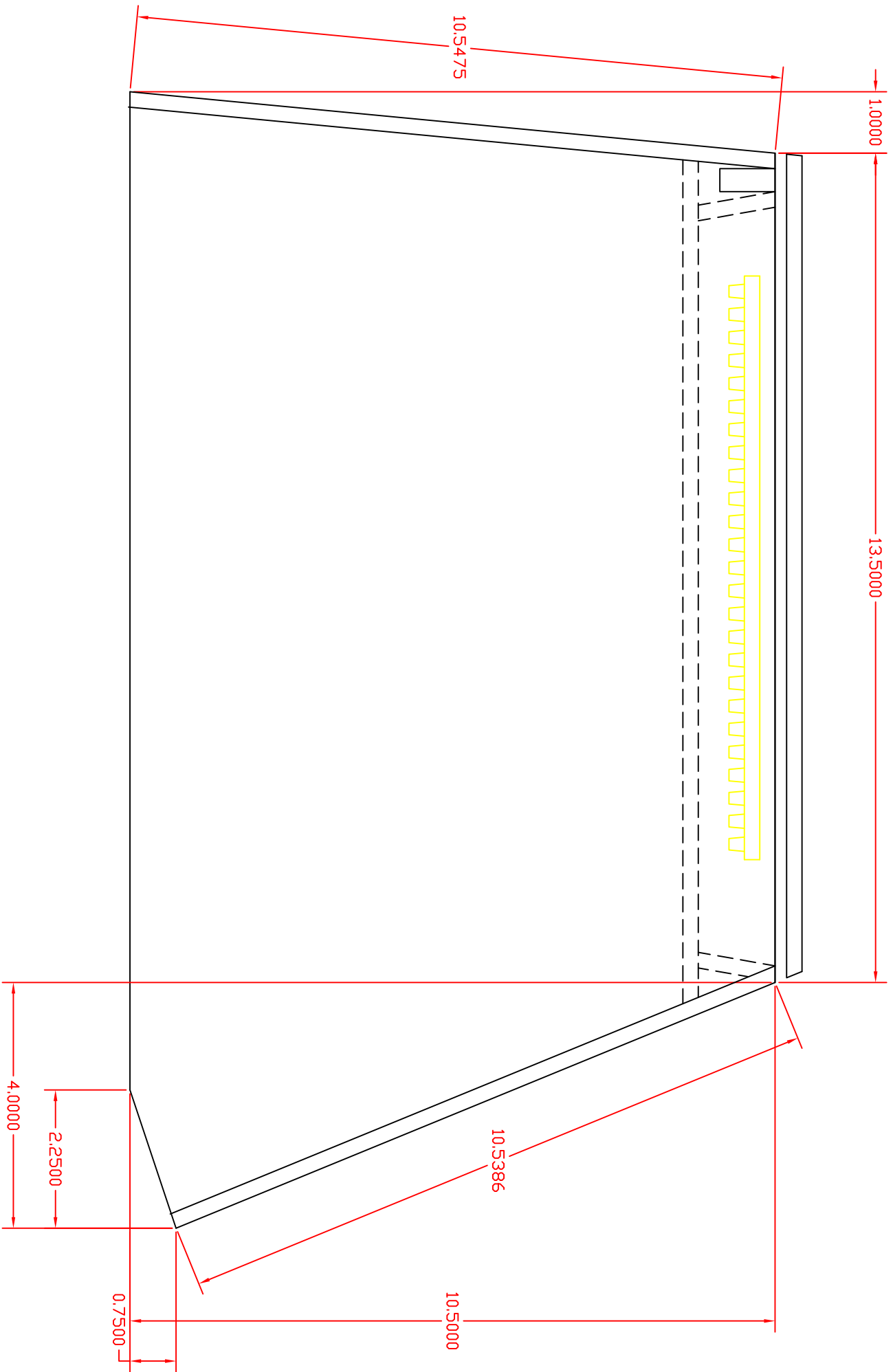
			<b>37/64</b>	<b>0.5781</b>
		<b>19/32</b>		<b>0.5938</b>
			<b>39/64</b>	<b>0.6094</b>
<b>5/8</b>				<b>0.6250</b>
			<b>41/64</b>	<b>0.6406</b>
		<b>21/32</b>		<b>0.6563</b>
			<b>43/64</b>	<b>0.6719</b>
	<b>11/16</b>			<b>0.6875</b>
			<b>45/64</b>	<b>0.7031</b>
		<b>23/32</b>		<b>0.7188</b>
			<b>47/64</b>	<b>0.7344</b>
<b>3/4</b>				<b>0.7500</b>
			<b>49/64</b>	<b>0.7656</b>
		<b>25/32</b>		<b>0.7813</b>
			<b>51/64</b>	<b>0.7969</b>
	<b>13/16</b>			<b>0.8125</b>
			<b>53/64</b>	<b>0.8281</b>
		<b>27/32</b>		<b>0.8438</b>
			<b>55/64</b>	<b>0.8594</b>
<b>7/8</b>				<b>0.8750</b>
			<b>57/64</b>	<b>0.8906</b>
		<b>29/32</b>		<b>0.9063</b>
			<b>59/64</b>	<b>0.9219</b>
	<b>15/16</b>			<b>0.9375</b>
			<b>61/64</b>	<b>0.9531</b>
		<b>31/32</b>		<b>0.9688</b>
			<b>63/64</b>	<b>0.9844</b>
<b>1"</b>				<b>1.0000</b>

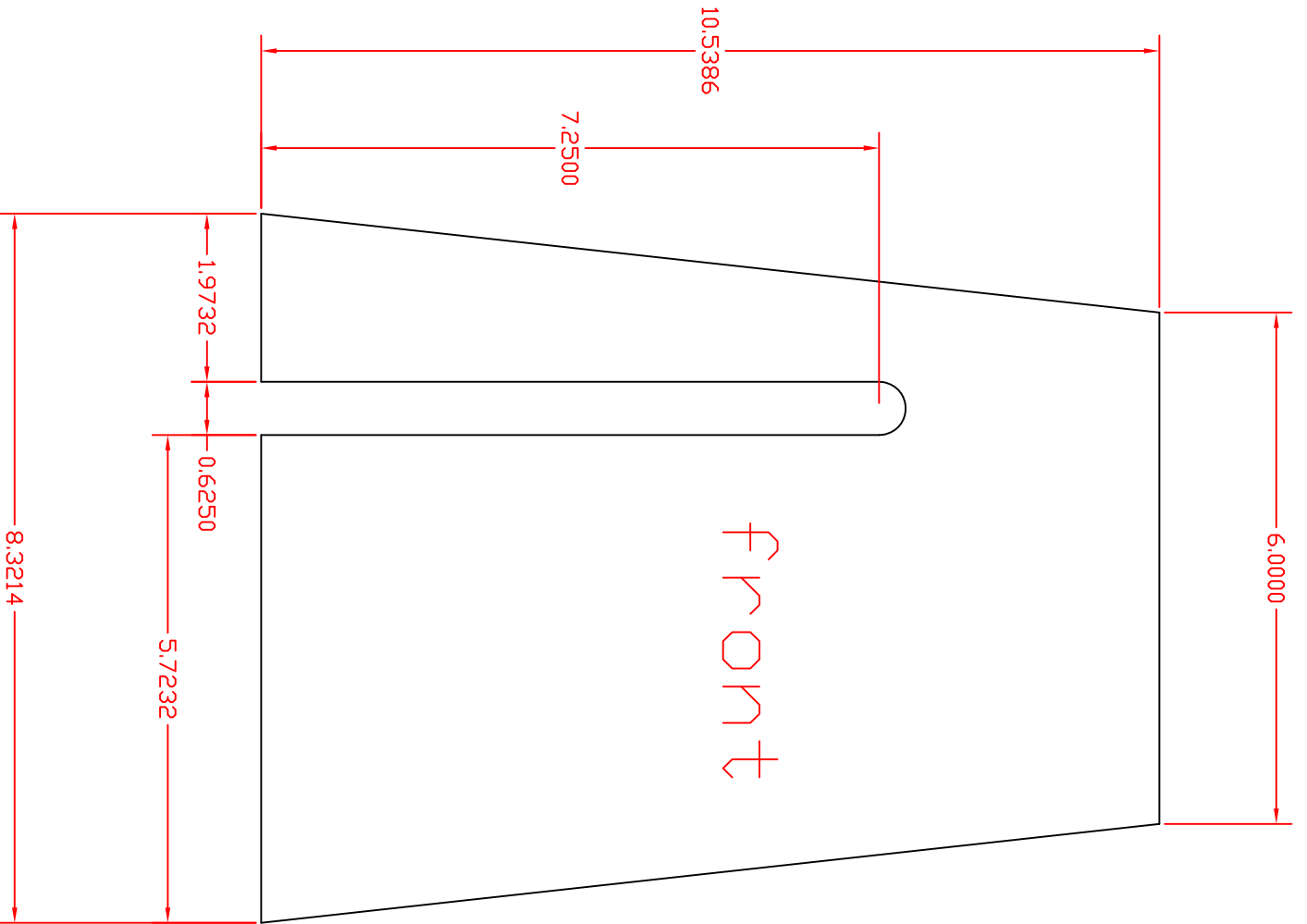


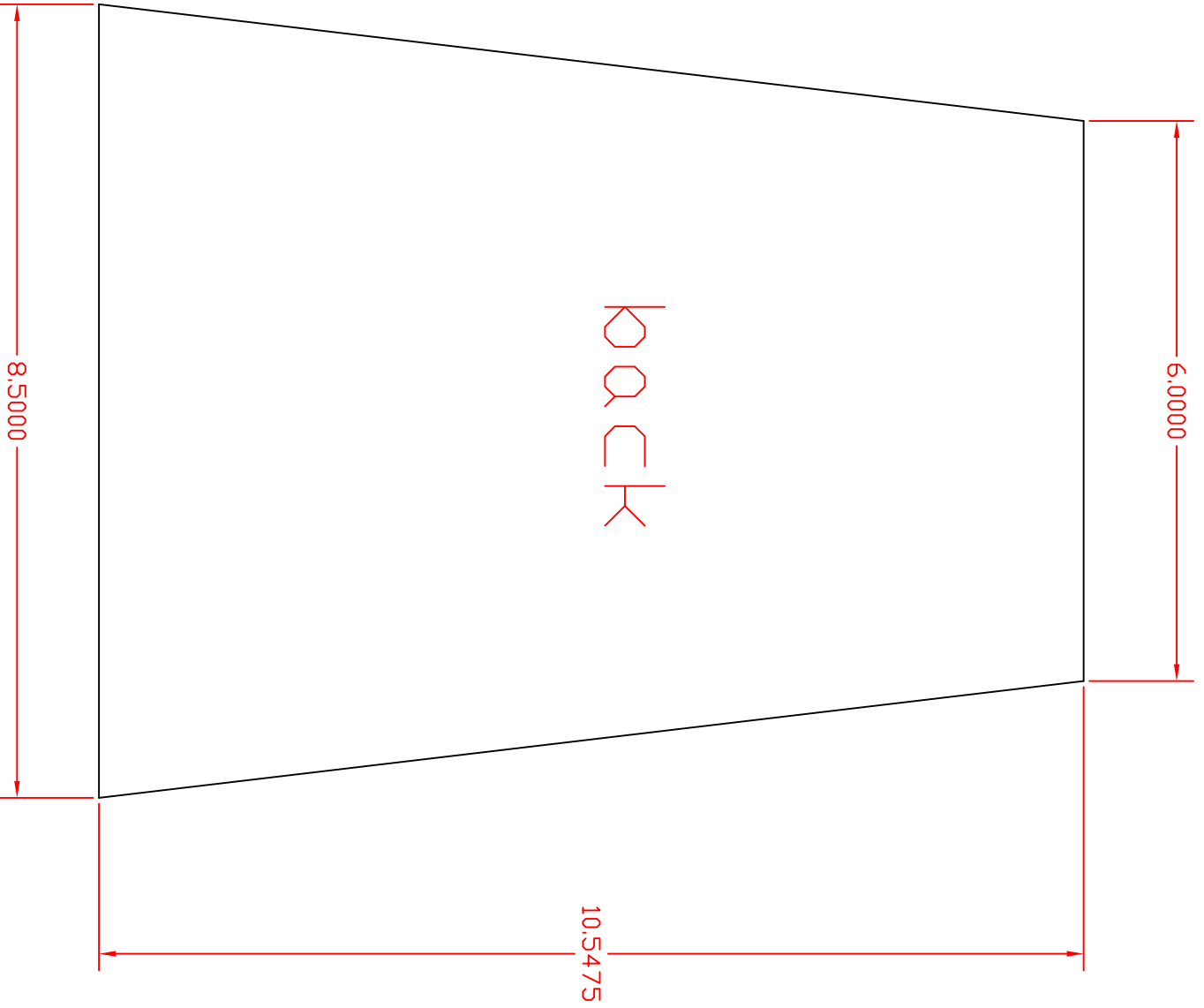


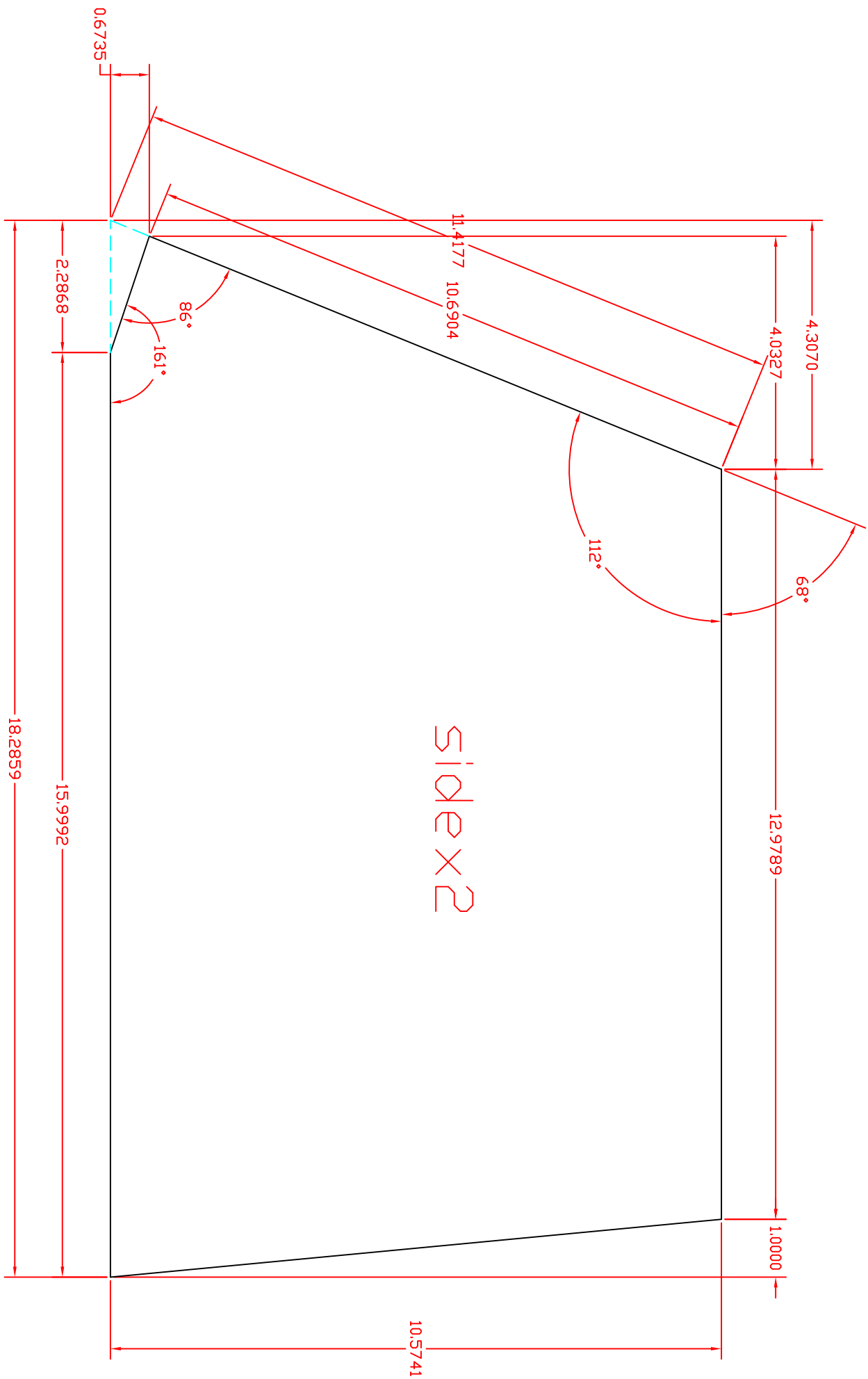


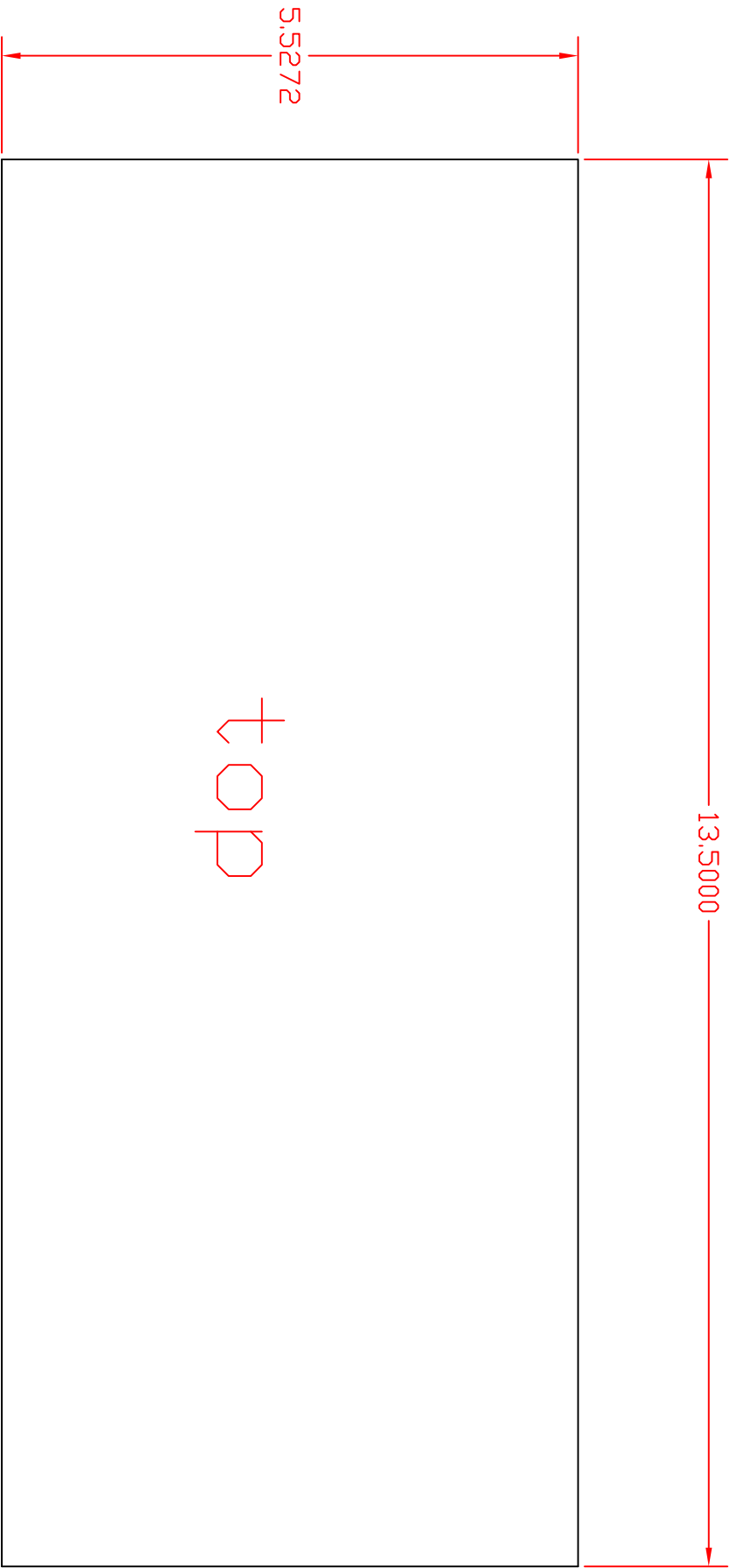


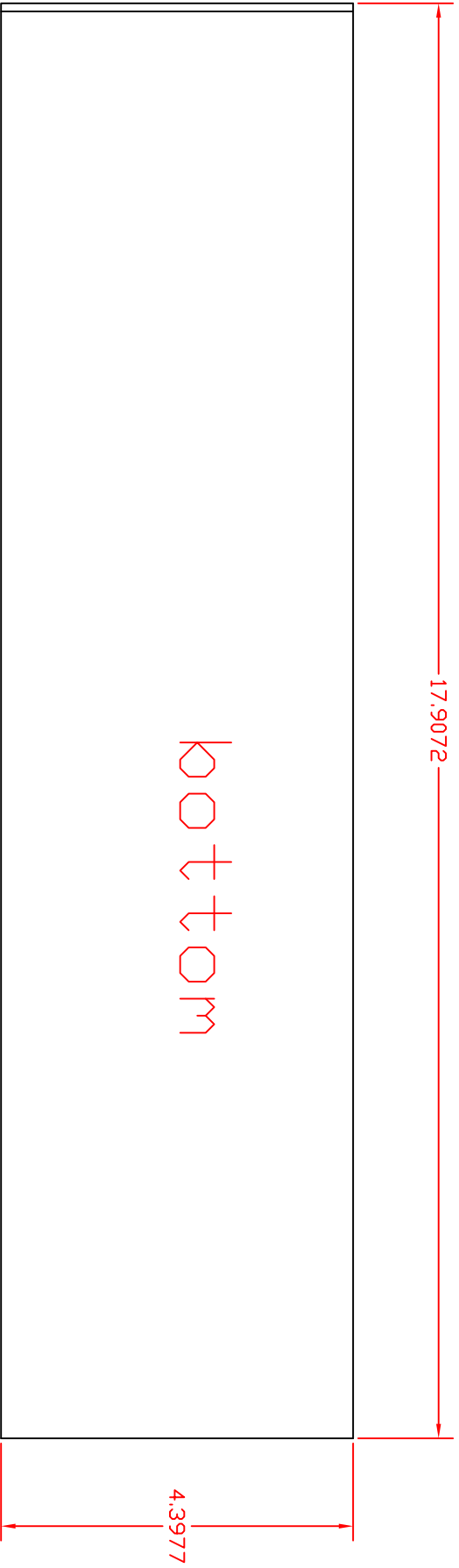












bottom

17.9072

4.3977

